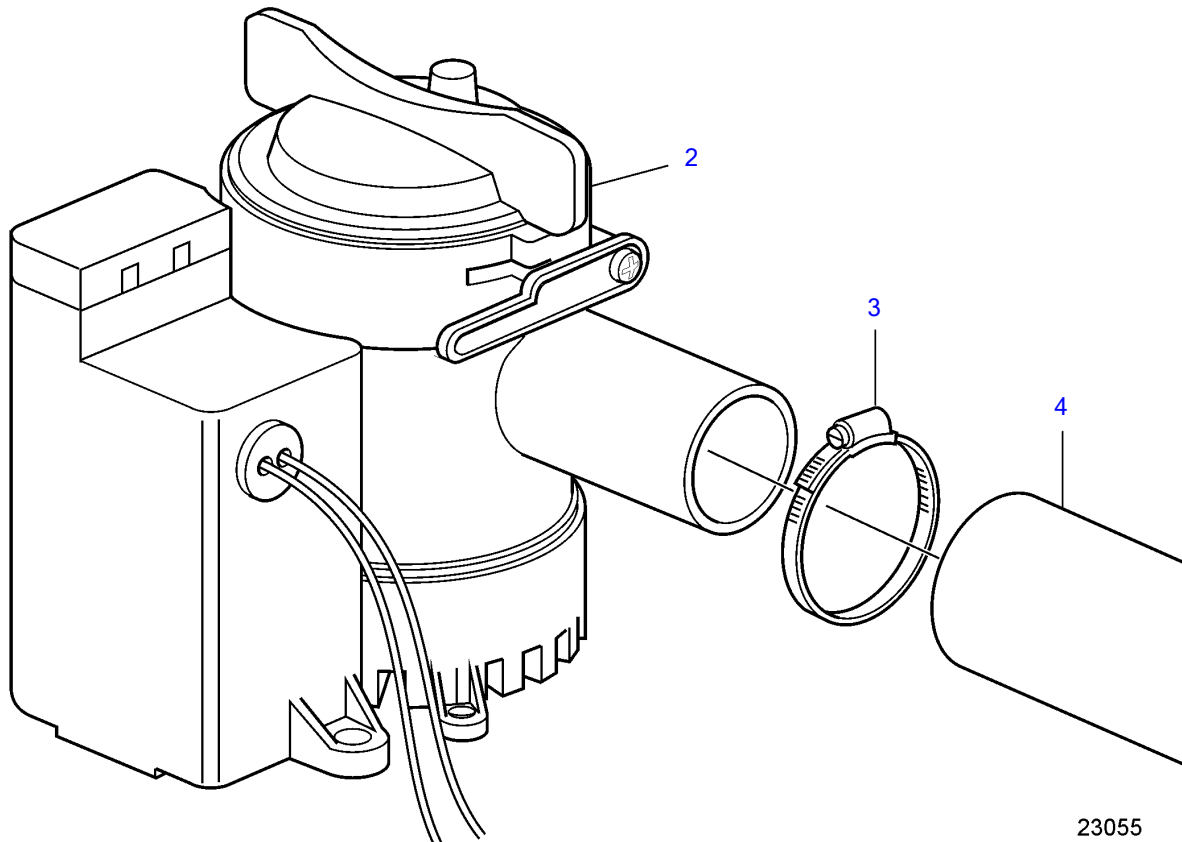
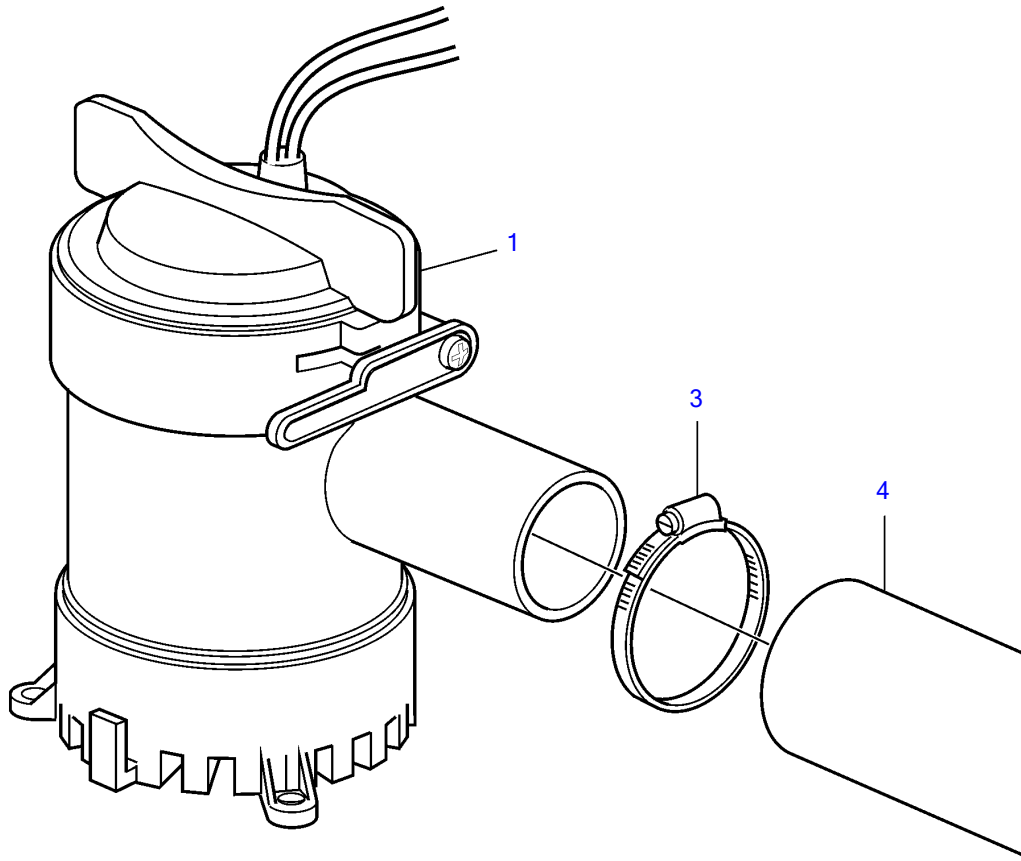


AD31L-A, AD31P-A, AD41L-A, AD41P-A, D41L-A, TAMD31L-A, TAMD31M-A, TAMD31P-A, TAMD31S-A, TAMD41H-A, TAMD41H-B, TAMD41P-A, TAMD41L-A, TAMD41M-A, TMD31L-A, TMD41L-A



23055

AD31L-A, AD31P-A, AD41L-A, AD41P-A, D41L-A, TAMD31L-A, TAMD31M-A, TAMD31P-A, TAMD31S-A, TAMD41H-A, TAMD41H-B, TAMD41P-A, TAMD41L-A, TAMD41M-A, TMD31L-A, TMD41L-A

REF	PART NO.	QTY	DESCRIPTION	NOTES
1	41100000	1	Bilge pump	30L / min 12V
	41103000	1	Bilge pump	45L / min 12V
	41103001	1	Bilge pump	55L / min 12V
	41103002	1	Pump unit	65L / min 12V
	41103003	1	Pump unit	75L / min 12V
2	41103004	1	Bilge pump	45L / min 12V
	41103005	1	Bilge pump	55L / min 12V
	41103006	1	Bilge pump	65L / min 12V
	41103007	1	Bilge pump	75L / min 12V
3	961666	1	Hose clamp	I.D=29mm
4	192358	1	Hose	I.D=19mm